

Datasheet

LED Ceiling Light RGBW Air

Part No: 100635, 100636



About the product

The Loxone LED Ceiling Light RGBW Air is a surface mounted light fixture with integrated motion and brightness sensor that combines colored light and warm white light. It is directly controlled and dimmed via the Air interface.

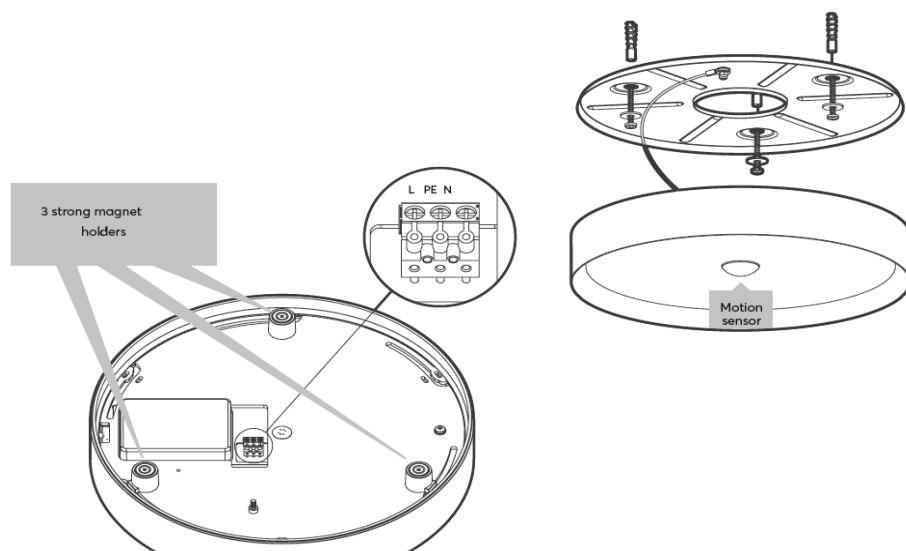
Electrical Data

Power supply	24 VDC +- 3% (dedicated, < 2m cable length)
Power consumption	Standby: <0.2W Red: 8W Green: 6.4W Blue: 4W Warm White: 16.3W max. 20.5W
Dimming range	0 ... 100%
Ambient temperature	-40 ... 55°C / -40 ... 131°F
Interface	Loxone Air: 868MHz (SRD Band Europe), 4 channels available 915MHz (ISM Band Region 2), 10 channels available max. power 3.16mW
Humidity	max. 95% r.H. (non condensing)
PWM frequency	200Hz
Energy efficiency (EU) 2017/1369	G
Motion detection	passive infrared sensor
Motion detection range	8m / 26.25ft (at height of 3m / 9.84ft)
Measuring range of brightness sensor	0.045 ... 188000lx
Detection angle vertical	110°
Detection angle horizontal	360°

Connections

Wire cross-section	0.75 ... 2.5mm ² / AWG18 ... 13
Stripping length	5mm / 0.2"
Torque of terminal blocks	0.35 ... 0.4Nm / 0.26 ... 0.3 lbf ft
Temperature resistance	min. 80°C / 176°F for IEC, min. 75°C / 167°F for UL

Connection Diagram



Light Properties

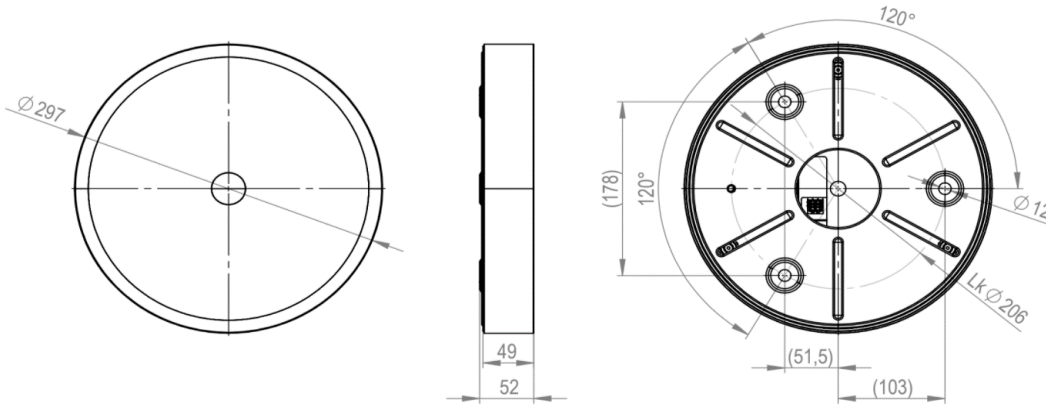
Colour temperature	typ. 3000k (warm white)
Luminous flux	typ. 1040lm (warm white)
Colour rendering index (CRI)	min. 90, (R9 min. 50)
Beam angle	120°
Unified glare rating (UGR)	<19

Product Characteristics

Colours	White: RAL9003 - Part No. 100635 Anthracite: RAL7021 - Part No. 100636
Material	Alu and Plastic
Finish	Matte


Weight & Dimensions

Net weight	2600g
Total weight	2800g
Product Dimensions	D: 297mm / 11.69" H: 52mm / 2.05"



Pack size	355x355x55mm / 13.98x13.98x2.17" (LxWxH)
-----------	--

Certifications & Standards

Safety rating	IP20
Certifications	<p>UL 1598:2021 Ed.5+R:31Jan2024 CSA C22.2#250.0:2021 Ed.5+U1;U2 California Title 24 JA8-2022 compliant</p>  <p>DRY LOCATIONS ONLY POUR EMPLACEMENTS SECS SEULEMENT CLASS 2 INPUT ONLY ENTRÉE DE CLASSE 2 UNIQUEMENT</p>

Installation must be carried out by a qualified electrician in accordance with the relevant regulations.

Published by Loxone Electronics GmbH

Smart Home 1
 4154 Kollerschlag
 Austria
 Tel: +43 7287 7070-0
 loxone.com